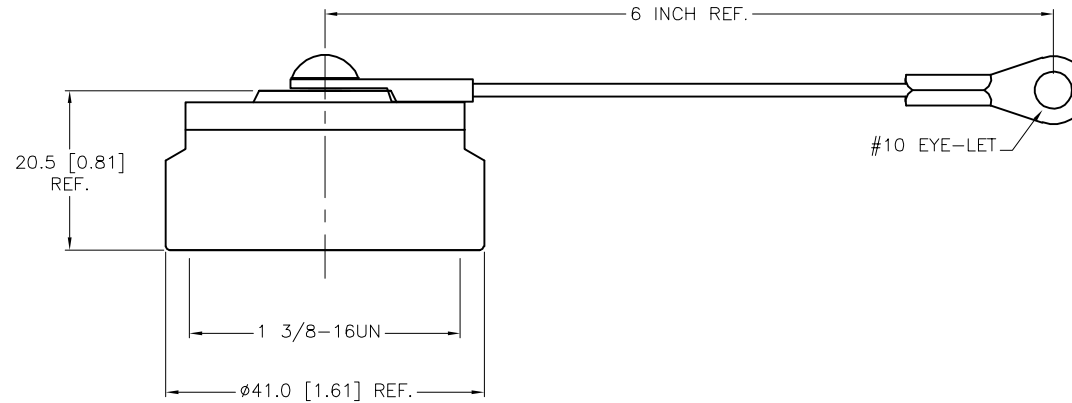
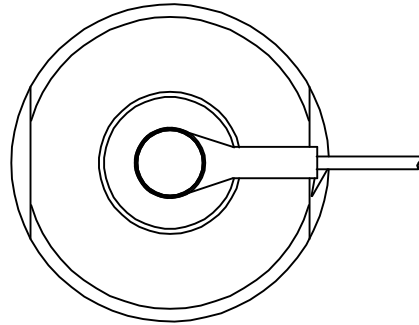


SPECIFICATIONS

CAP MATERIAL	ALUMINUM
HARDWARE MATERIAL	STAINLESS STEEL
LANYARD MATERIAL	STAINLESS STEEL/PVC COATED
GASKET MATERIAL	NITRILE



SOURCE DRAWING - FOR REFERENCE ONLY

RELATED DOCUMENTS				3RD ANGLE PROJECTION		THIS DRAWING IS CONFIDENTIAL AND THE PROPERTY OF TURCK INC. USE OF THIS DOCUMENT WITHOUT WRITTEN PERMISSION IS PROHIBITED.		3000 CAMPUS DRIVE MINNEAPOLIS, MN 55441 1-800-544-7769 (763) 553-7300 (763) 553-0708 fax www.turck.us	
1. 2. 3. 4.						DRFT RDS		DATE 12/17/08	
MATERIAL						APVD		SCALE 1=1.0	
SEE SPECIFICATIONS				ALL DIMENSIONS DISPLAYED ON THIS DRAWING ARE FOR REFERENCE ONLY		UNIT OF MEASUREMENT		IDENTIFICATION NO.	
FINISH				CONTACT TURCK FOR MORE INFORMATION		MILLIMETER [INCH]		GK DFA-CC	
SEE SPECIFICATIONS				DO NOT SCALE THIS DRAWING		REV		C	
C UPDATE SPECS				NF 08/08/23 500000008605		FILE: U2-15107		SHEET 1 OF 1	
REV DESCRIPTION				BY DATE ECO NO.					

C	UPDATE SPECS	NF	08/08/23	500000008605
REV	DESCRIPTION	BY	DATE	ECO NO.